

## 5G Modems in all systems

**Model:** Qualcomm Snapdragon (SD) x55 modem, Cat. 20

**Coverage:** Worldwide 5G coverage with 3G/4G fallback

Power Class 2, max. TX power 400mW

### MAXIMUM SPEED per modem:

Download: 2.0 Gbit/s per modem, 7xCA, max. Modulation 256QAM

Upload: 211 Mbit/s per modem, 2xCA, max. Modulation 256QAM

### SUPPORTED RF BANDS (Worldwide Coverage)

Technology	Bands	Diversity Connection
3G	B1, B2, B4, B5, B6, B8, B9, B19	YES
4G LTE-A-PRO	B1-B5, B7, B8, B12-B14, B17-B20, B25, B26, B28-B30, B32, B34, B38-B43, B46, B48, B66, B71	YES (4x4 MIMO)
5G	n1, n2, n3, n5, n7, n8, n12, n20, n25, n28, n38, n40, n41, n48, n66, n71, n77, n78, n79	YES (4x4 MIMO)

## INNER CORE

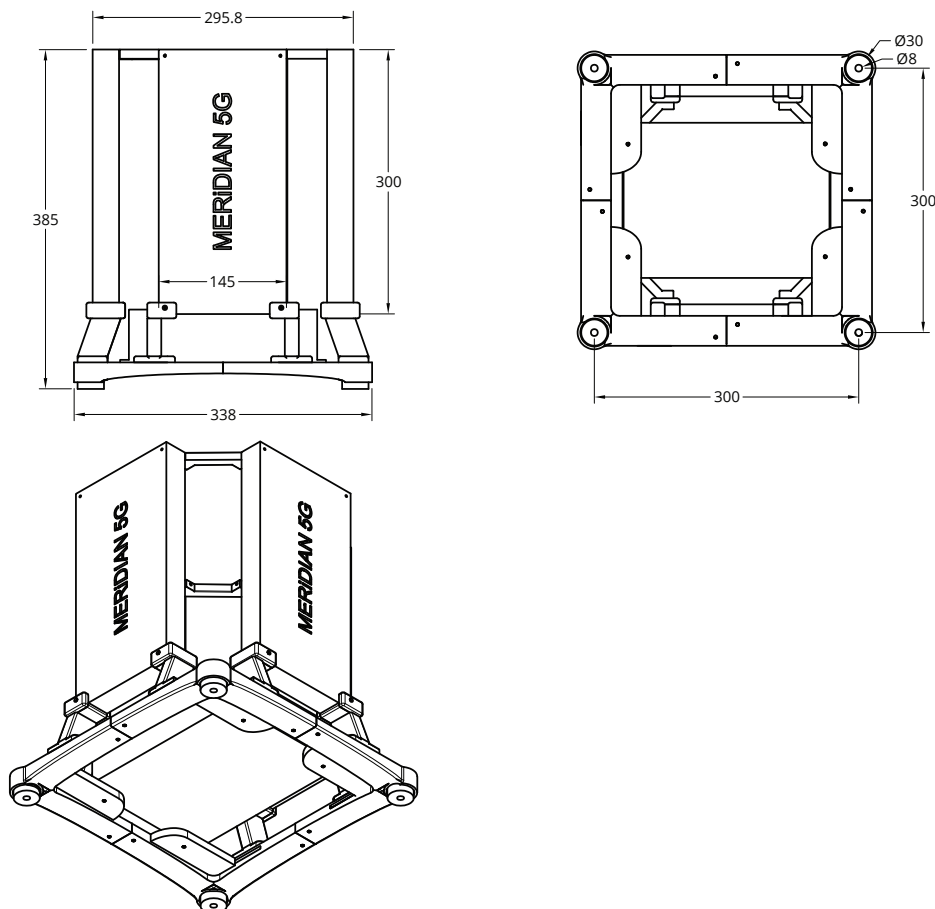
## TECHNICAL SPECIFICATIONS

System contains 4 panels with a control router arranged into an inner core to be installed inside a small (~50cm) empty dome.

- 4 panels (four 5G modems and 16 omnidirectional antennas in total, see "Panel" spec page **X** for more info)
- Dual-LEO (e.g. Starlink Maritime) connectivity
- **Weight:** 12kg
- **Mounting:** 4x M8 Bolt
- **Power:** 160W peak load. DC 12V, 12A (3x4sqmm) or AC 100V..240V (3x1.5sqmm)
- **Operating temperature:** -40° to +75°C
- **Cabling required:** Ethernet to the ship's firewall: Cat6A or Cat7 S/FTP (shielded).
- **Connectors:** RJ45 connector (to border router)
- **Dome cover:** recommended model Intellian i4

Remarks: 360° non-blocked horizontal line of sight recommended.

Optional SIM extender is available so SIM cards can be conveniently changed below deck. It does not require any extra cables (uses the same ethernet cable as for the user data).



## INNER CORE

## TECHNICAL SPECIFICATIONS

System contains 2 panels with a control router arranged into an inner core to be installed inside a small (~50cm) empty dome.

- 2 panels (two 5G modems and 8 omnidirectional antennas in total, see "Panel" spec page **X** for more info)
- Dual-LEO (e.g. Starlink Maritime) connectivity
- **Weight:** 10.5kg
- **Mounting:** 4x M8 Bolt
- **Power:** 160W peak load. DC 12V, 12A (3x4sqmm) or AC 100V..240V (3x1.5sqmm)
- **Operating temperature:** -40° to +75°C
- **Cabling required:** Ethernet to the ship's firewall: Cat6A or Cat7 S/FTP (shielded).
- **Dome cover:** recommended model Intellian i4

Remarks: 360° non-blocked horizontal line of sight recommended.

X2 model has spare compartments for 2 additional panels and can be upgraded at a later time by purchasing additional panel(s).

Optional SIM extender is available so SIM cards can be conveniently changed below deck. It does not require any extra cables (uses the same ethernet cable as for the user data).

