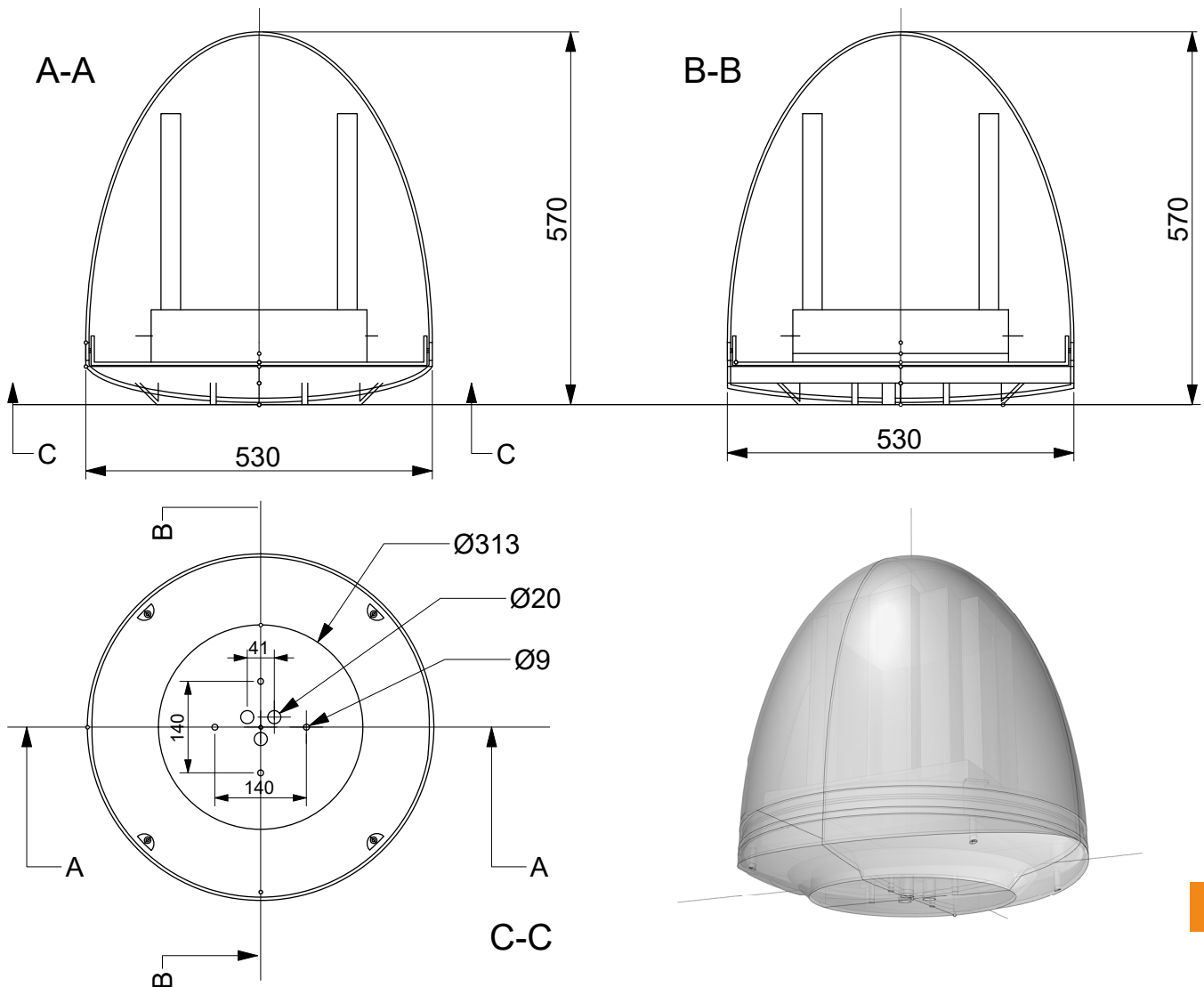


# 4X4X4 DOME Router (Worldwide)

## TECHNICAL SPECIFICATIONS

### Physical environment:

- **Dimensions:** diameter 53cm, height 57cm
  - **Weight:** 14kg
  - **Mounting:** 4x M8 Bolt
  - **Operating temperature:** -40° to +75°C
  - **Windspeed:** max. 195 km/h
  - **Connectors:** RJ45 connector (to border router)
  - **Power:** DC 12V, 12A (3x 1.5sqmm, 3rd wire for remote on/off)
  - **SIM:** 4x Push-Pull (Mini) and 4x eSIM
  - 16 wide band antenna modules (600MHz-6Ghz, peak gain 5dBi)
- Remarks: 360° non-blocked horizontal line of sight recommended



**Modems:**

4 x 4G/5G modems (LTE-A-Pro) with 3G fall back (based on Qualcomm Snapdragon X55)  
 (Power Class 2, max. TX power 0.4W)

**MAXIMUM SPEED per modem:**

**Download:** 2.0 Gbit/s per modem, 7xCA, max. Modulation 256QAM  
**Upload:** 211 Mbit/s per modem, 2xCA, max. Modulation 256QAM

**SUPPORTED RF BANDS (Worldwide Coverage)**

| Technology   | Bands   | Diversity Connection |
|--------------|---|----------------------|
| 3G           | B1, B2, B4, B5, B6, B8, B9, B19   | YES                  |
| 4G LTE-A-PRO | B1-B5, B7, B8, B12-B14, B17-B20, B25, B26, B28-B30, B32, B34, B38-B43, B46, B48, B66, B71 | YES (4x4 MIMO)       |
| 5G           | n1, n2, n3, n5, n7, n8, n12, n20, n25, n28, n38, n40, n41, n48, n66, n71, n77, n78, n79   | YES (4x4 MIMO)       |

## User Interface:

### DASHBOARD:

| Modem Status  | System Status  | System Control  |
|---|--|---|
| <ul style="list-style-type: none"> <li>• SIM card inserted</li> <li>• Connection status</li> <li>• Aggregation status</li> <li>• Temperature</li> <li>• Error indication</li> </ul> | <ul style="list-style-type: none"> <li>• Aggregator status</li> <li>• Current network load (down/up)</li> <li>• Temperature</li> <li>• Error indication</li> </ul> | <ul style="list-style-type: none"> <li>• Power down</li> <li>• Reset</li> </ul> |

### FURTHER CONTROL:

| Modem Status  | System Status  | System Control  |
|---|--|---|
| <ul style="list-style-type: none"> <li>• Reset</li> <li>• Set offline</li> <li>• Roaming on/off</li> <li>• Modem Status information (IMEI, Signal level..)</li> </ul> | <ul style="list-style-type: none"> <li>• PIN/PUK</li> <li>• C/E Description</li> <li>• Roaming on/off</li> <li>• Contract or pay as you go data package</li> </ul> | <ul style="list-style-type: none"> <li>• Limit for signal Level</li> <li>• Limit for network technology</li> <li>• Limit for BER (bit error rate)</li> <li>• Limit for latency</li> </ul> |