

# 4X4X4 DOME ROUTER, Standalone Version (Full Dome)

## Content of the boxes:

### Box #1

- 1 ea. Dome (Base and Cover)
  - 4ea. Bolts M8x40 (fixation Base on Mast/ Deck), nuts and washers
  - 4ea. Bolts M8x100 (fixation Inner Core on Base), nuts and washers

### Box #2

- 1ea. Inner Core containing router, antenna modules, modems, and further electronics.
- 1 ea. PSU AC (110 to 240V, 140W) to 12V/ 10A DC, including 1 ea. Power cable EU to IEC13.

## Unpacking Box #1:

**1)** Remove the screws from the lateral panels near the box's base, 8 in total, 2 per corner, and remove the cover.

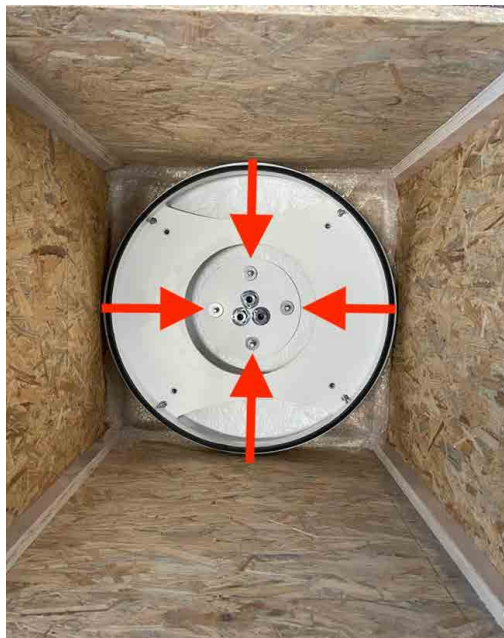
(The Dome is fixed on the Box's base plate with M8 bolts)



- 2)** Remove foil and tissue covering the Dome.  
 Carefully release the 4 bolts fixing the Dome's cover on the Dome's base using an Allen Key.  
 Do not take out the bolts entirely.

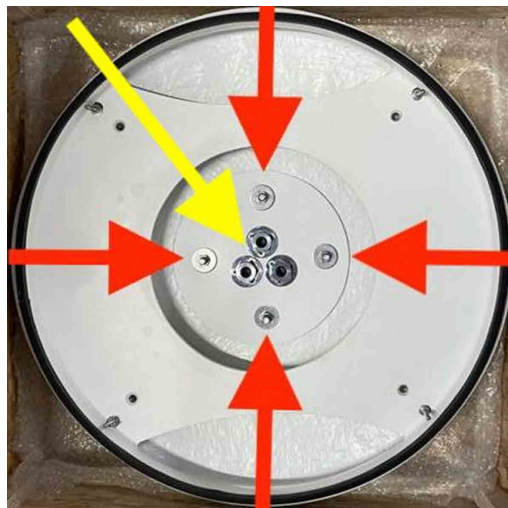


- 3)** Release the nuts on the Base, fixing the Dome's base on the box's base.  
 Take out the nuts and washers.



## Mounting the Dome:

- 1) The Base provides 3 stainless steel glands for watertight cable routing.  
(yellow arrow)
  - a. Network connection to vessel's border router
  - b. Network connection for support (optional)
  - c. Power feed DC 24V/10A
  
- 2) As well, mounting holes 9mm (red arrows) for fixation of the Base on the Mast or Deck with M8 Bolts and washers.



- 3) Before mounting the Base, please note the position of the Stern Marker.



- 4) Once the Base is fixed on the Mast or Deck, and the cables are routed, fix the Inner Core on the Base using 4x M8x100 Bolts and washers. Gently (!) tighten the bolts.



## 5) Connections

- a. Power (red).
- b. Network cable(s) (yellow).
- c. Insert SIM cards into the SIM slots located on all 4 lateral panels (green).



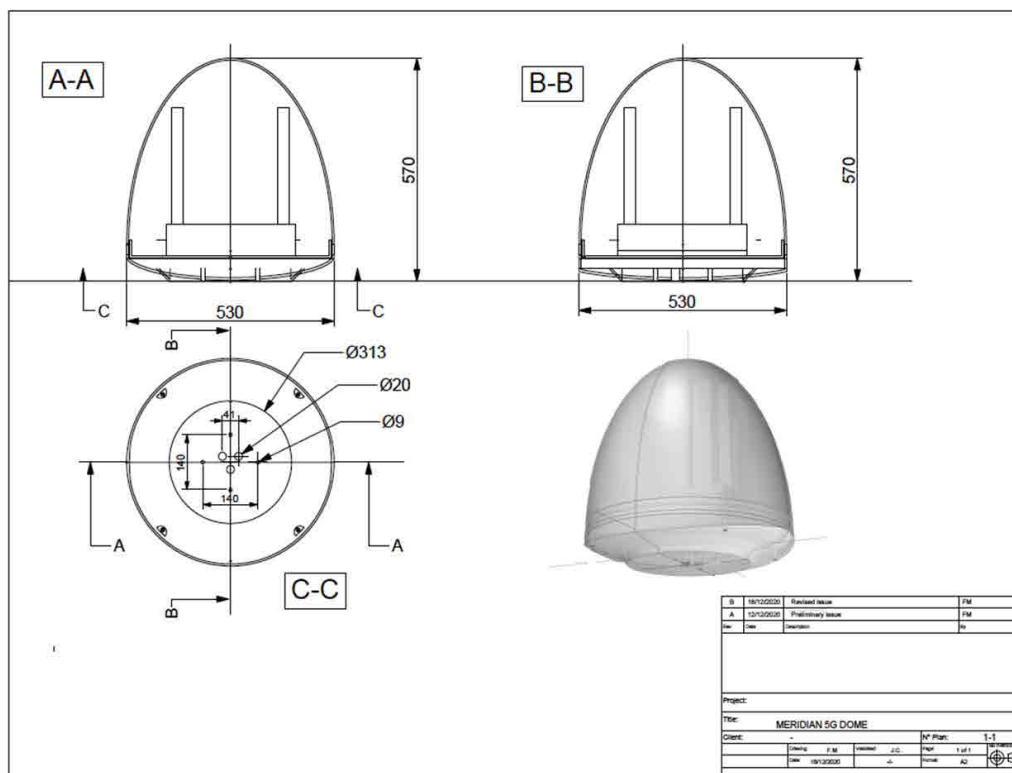
- 6) Please test the system before closing the Dome.
- a. Ethernet-Port configuration:
    - i. Note: There is no DHCP enabled. Please use static IP assignment for your laptop and border router/firewall.
    - ii. ETH0, IP: 172.20.70.1/24 (net mask 255.255.255.0).
    - iii. (Please connect this one to your ship's firewall/ network)
    - iv. ETH1, IP: 10.10.100.253/24 (net mask 255.255.255.0).
    - v. (This one is meant for support purposes only.)
  - b. Access to the Dome's UI (user interface): url: <http://172.20.70.1> (assuming you are connected via ETH0):  
username: shipadmin  
password: ship
  - c. UI manual:  
UI -> SETTINGS -> User interface manual.
  - d. Regional and carrier specific Firmware selection (US only):  
UI -> SETTINGS -> Advanced.  
Generic (preset) is working almost everywhere.  
Some US cards will require swapping to carrier specific firmware.
  - e. Carrier, Data Mode and APN selection:  
UI -> SETTINGS -> Router Configuration.  
Most of the time "automatic" is the best choice.  
If you want to force differently, please disable automatic (toggle button) and make your choice.
- 7) Mount the Dome's Cover, aligned by the Markers



**8)** Fix the cover with the bolts (4x) integrated in the Dome's Base. You'll need an Allen Key to tighten those properly.



**9)** Dimension, Positions, 3D



**Thank you for your attention.**