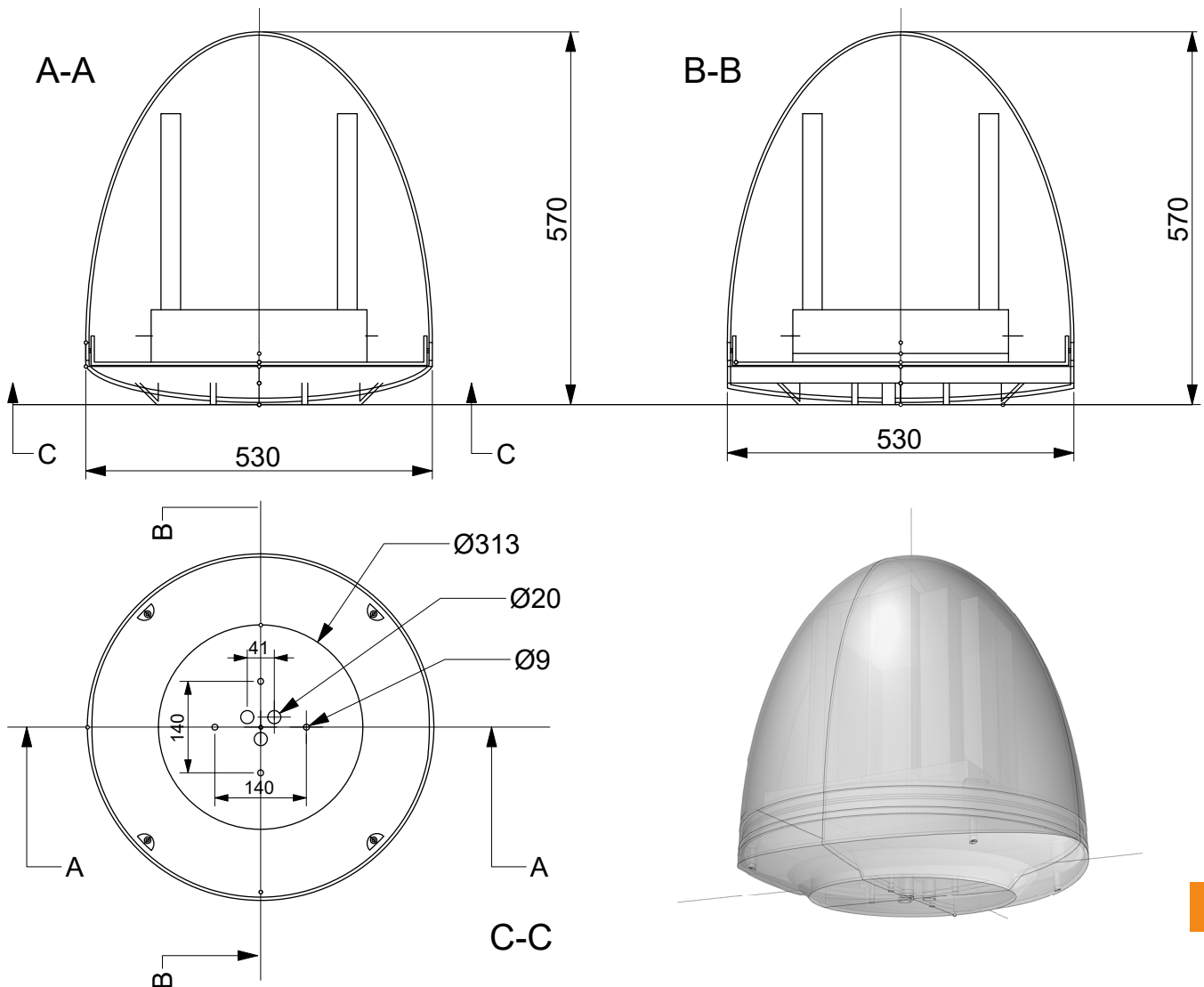


4X4X4 DOME Router (Worldwide)

TECHNICAL SPECIFICATIONS

Physical environment:

- **Dimensions:** diameter 53cm, height 57cm
 - **Weight:** 14kg
 - **Mounting:** 4x M8 Bolt
 - **Operating temperature:** -40° to +75°C
 - **Windspeed:** max. 195 km/h
 - **Connectors:** RJ45 connector (to border router)
 - **Power:** DC 24V, 10A (3x 1.5sqmm, 3rd wire for remote on/off)
 - **SIM:** 4x Push-Pull (Mini) and 4x eSIM
 - 16 wide band antenna modules (600MHz-6Ghz, peak gain 5dBi)
- Remarks: 360° non-blocked horizontal line of sight recommended



Modems:

4 x 4G/5G modems (LTE-A-Pro) with 3G fall back (based on Qualcomm Snapdragon X55)
 (Power Class 2, max. TX power 0.4W)

MAXIMUM SPEED per modem:

Download: 2.0 Gbit/s per modem, 7xCA, max. Modulation 256QAM
Upload: 211 Mbit/s per modem, 2xCA, max. Modulation 256QAM

SUPPORTED RF BANDS (Worldwide Coverage)

Technology	Bands	Diversity Connection
3G	B1, B2, B4, B5, B6, B8, B9, B19	YES
4G LTE-A-PRO	B1-B5, B7, B8, B12-B14, B17-B20, B25, B26, B28-B30, B32, B34, B38-B43, B46, B48, B66, B71	YES (4x4 MIMO)
5G	n1, n2, n3, n5, n7, n8, n12, n20, n25, n28, n38, n40, n41, n48, n66, n71, n77, n78, n79	YES (4x4 MIMO)

User Interface:

DASHBOARD:

Modem Status	System Status	System Control
<ul style="list-style-type: none"> • SIM card inserted • Connection status • Aggregation status • Temperature • Error indication 	<ul style="list-style-type: none"> • Aggregator status • Current network load (down/up) • Temperature • Error indication 	<ul style="list-style-type: none"> • Power down • Reset

FURTHER CONTROL:

Modem Status	System Status	System Control
<ul style="list-style-type: none"> • Reset • Set offline • Roaming on/off • Modem Status information (IMEI, Signal level..) 	<ul style="list-style-type: none"> • PIN/PUK • C/E Description • Roaming on/off • Contract or pay as you go data package 	<ul style="list-style-type: none"> • Limit for signal Level • Limit for network technology • Limit for BER (bit error rate) • Limit for latency