

4X4X4 DOME ROUTER, Standalone Version (Full Dome)

Content of the box:

- 1 ea. Inner Core containing router, antenna modules, modems, and further electronics.
- 1 ea. Dome (Base and Cover)
 - 4ea. Bolts M8x50 (fixation Base on Mast/ Deck), nuts and washers
 - 4ea. Bolts M8x100 (fixation Inner Core on Base), nuts and washers
- 1 ea. PSU AC (110..240V, 280W) to 24V/ 10A DC, including 1 ea. Power cable EU to IEC13.

Unpacking the Box:

1) Remove the screws from the lateral panels near the box's cover, 8 in total, 2 per corner, and remove the cover.



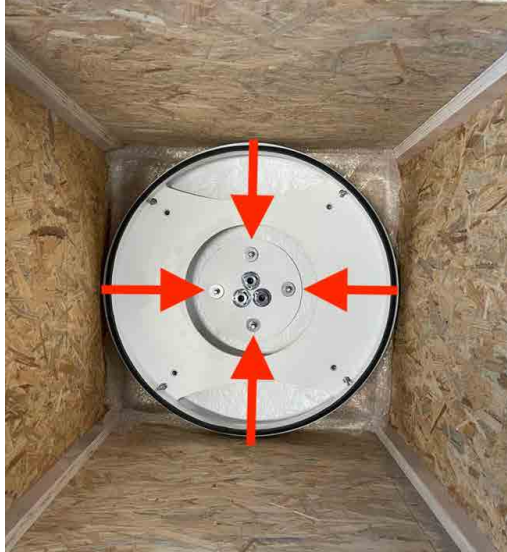
- 2)** Take out the PSU and IEC cable, packed on top of the packaging chips. Carefully remove the packaging chips, then remove the tissue covering the Dome. Carefully take out the Dome's Cover. It is not fixed with bolts during the shipping.



- 3)** Remove the 4x M8x100 Bolts and washers, fixing the Inner Core on the base. Carefully take out the Inner Core.



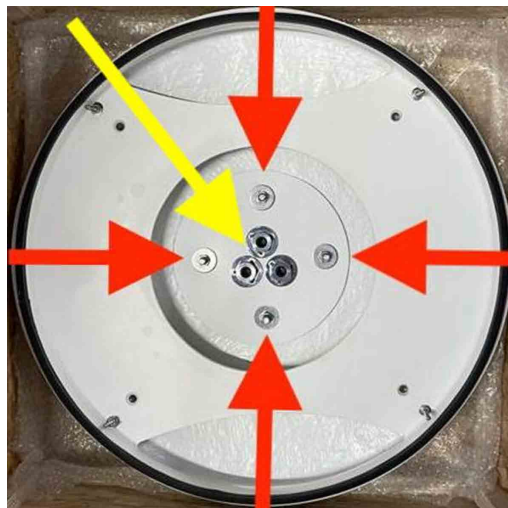
- 4) Release the nuts on the Base, fixing the base on the box.
Take out the nuts and washers.
Carefully take out the Dome's Base.



Mounting the Dome:

- 1) The Base provides 3 stainless steel glands for watertight cable routing.
(yellow arrow)
 - a. Network connection to vessel's border router
 - b. Network connection for support (optional)
 - c. Power feed DC 24V/10A

- 2) As well, mounting holes 9mm (red arrows) for fixation of the Base on the Mast or Deck with M8 Bolts and washers.



- 3) Before mounting the Base, please note the position of the Stern Marker.



4) Once the Base is fixed on the Mast or Deck, and the cables are routed, fix the Inner Core on the Base using 4x M8x100 Bolts and washers. Gently (!) tighten the bolts.



5) Connections

- a. Power (red).
- b. Network cable(s) (yellow).
- c. Insert SIM cards into the SIM slots located on all 4 lateral panels (green).



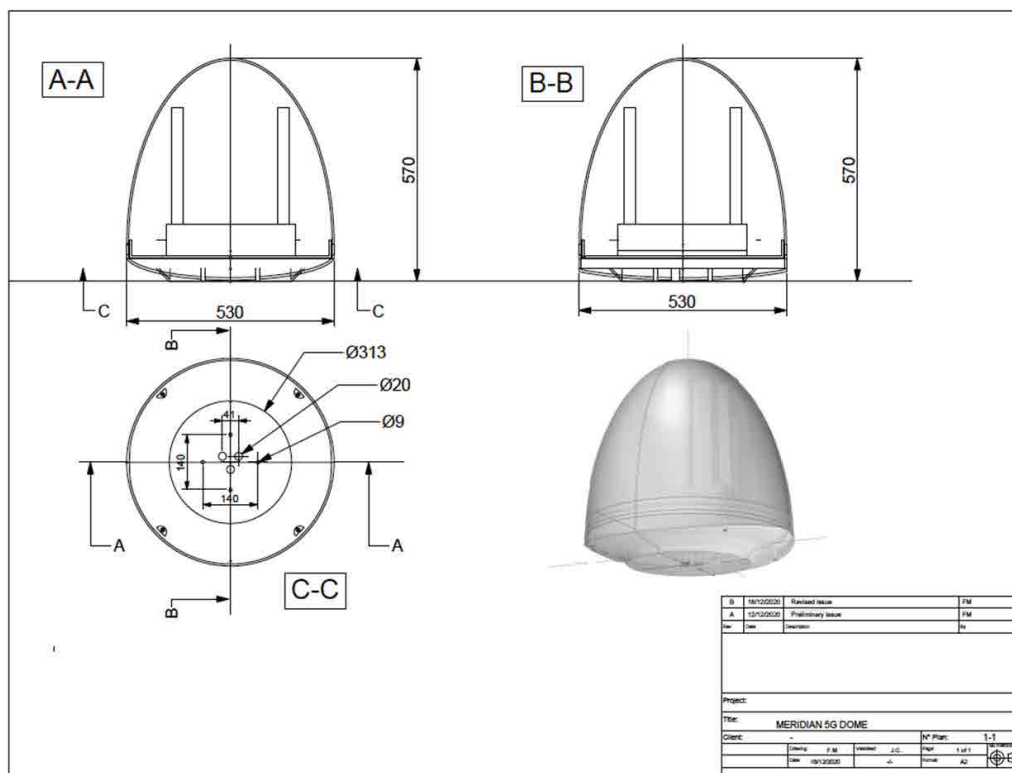
- 6)** Please test the system before closing the Dome.
- a.** Ethernet-Port configuration:
 - i. Note: There is no DHCP enabled. Please use static IP assignment for your laptop and border router/firewall.
 - ii. ETH0, IP: 172.20.70.1/24 (net mask 255.255.255.0).
 - iii. (Please connect this one to your ship's firewall/ network)
 - iv. ETH1, IP: 10.10.100.253/24 (net mask 255.255.255.0).
 - v. (This one is meant for support purposes only.)
 - b.** Access to the Dome's UI (user interface): url: <http://172.20.70.1> (assuming you are connected via ETH0):
username: shipadmin
password: ship
 - c.** UI manual:
UI -> SETTINGS -> User interface manual.
 - d.** Regional and carrier specific Firmware selection (US only):
UI -> SETTINGS -> Advanced.
Generic (preset) is working almost everywhere.
Some US cards will require swapping to carrier specific firmware.
 - e.** Carrier, Data Mode and APN selection:
UI -> SETTINGS -> Router Configuration.
Most of the time "automatic" is the best choice.
If you want to force differently, please disable automatic (toggle button) and make your choice.
- 7)** Mount the Dome's Cover, aligned by the Markers



8) Fix the cover with the bolts (4x) integrated in the Dome's Base. You'll need an Allen Key to tighten those properly.



9) Dimension, Positions, 3D



Thank you for your attention.